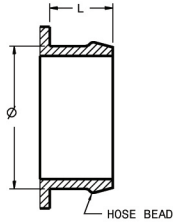


Compressor Inlet

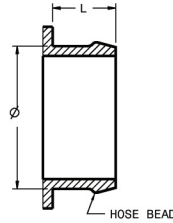
HOSE CONNECTIONS
TABULATED AS (Ø x L)



Ø45.9 x 23.25

Compressor Outlet

HOSE CONNECTIONS
TABULATED AS (Ø x L)

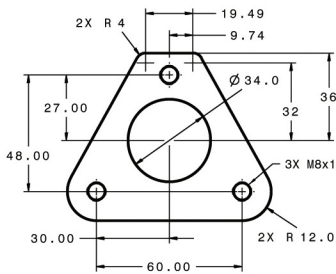


Ø36 x 26

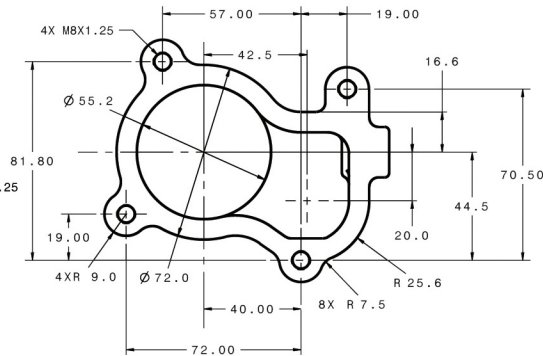
Oil Inlet

Optional
M10x1.0 (F)
M14x1.5 (M)

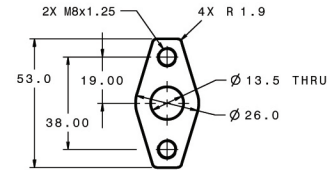
Turbine Inlet



Turbine Outlet



Oil Outlet



Water
Not Applicable

